

NEWLY IMPROVED EXVENT AND EXVENT6

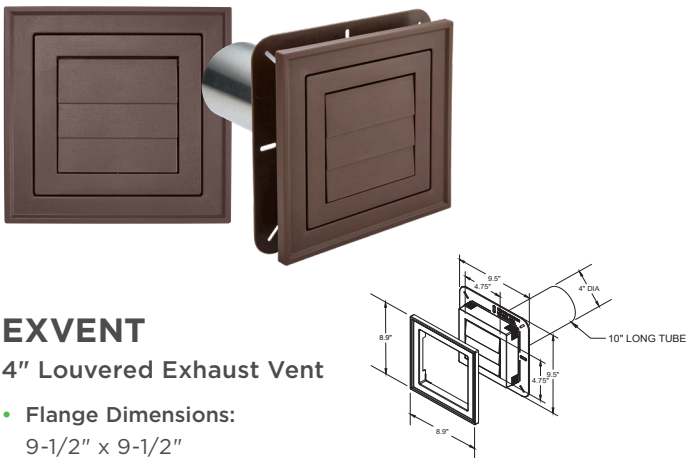


Enhanced Design for Easy, Versatile Installation

- ✓ In mold color and custom painted color matching
- ✓ Easy to install trim ring that eliminates the need to disassemble multiple components
- ✓ Optional screen to protect against unwanted pests (sold separately)
- ✓ 1/8" adjustments to accommodate various siding profiles
- ✓ Removable louvers for ease of installation

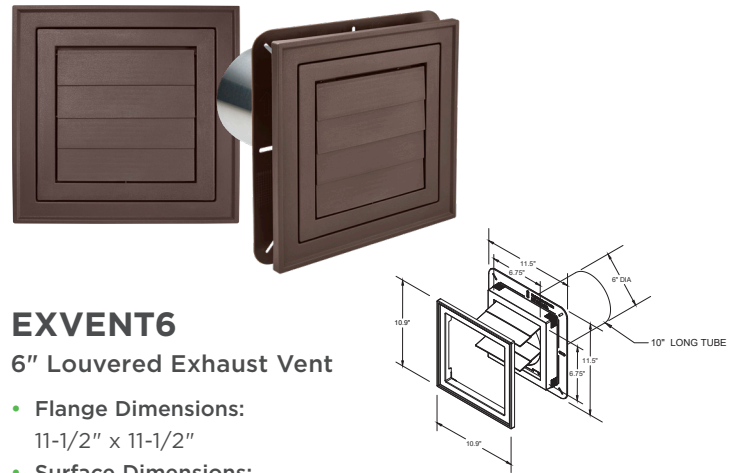
VERSAFIT

Ply Gem EXVENT/EXVENT6 features VersaFit technology—a superior locking mechanism that delivers secure installation with minimal rocking and a tight fit against virtually all cladding types.



EXVENT 4" Louvered Exhaust Vent

- Flange Dimensions: 9-1/2" x 9-1/2"
- Surface Dimensions: 8.9" x 8.9"
- J-Channel I.D.: 5/8" adjusts to 1-1/8"
- Net Free Area: 12.5 Sq. In.
- Tube Length: 10"
- Tube Diameter: 4"
- 1 System/Ctn.
- 1.1 Lb./Ctn.



EXVENT6 6" Louvered Exhaust Vent

- Flange Dimensions: 11-1/2" x 11-1/2"
- Surface Dimensions: 10.9" x 10.9"
- J-Channel I.D.: 5/8" adjusts to 1-1/8"
- Net Free Area: 28.25 Sq. In.
- Tube Length: 10"
- Tube Diameter: 6"
- 1 System/Ctn.
- 1.3 Lb./Ctn.



Questions? Please contact your Ply Gem sales representative for more information.

PLYGEM.COM
5020 Weston Parkway, Cary, NC 27513

© 2025 Ply Gem Industries, Inc., part of **Cornerstone Building Brands, Inc.**
ALL RIGHTS RESERVED. 4605259991101/MS/1025

